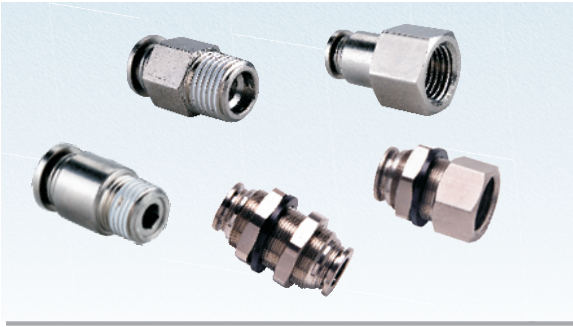


Metal one-touch fittings



Product feature

1. High flow capacity; The flowrate of these fittings is equivalent to that of the adaptable tubings.
2. Inserting or removal tubing is simple and convenient, and the connecting portion is reliable and durable.
3. Sealant is coated on threaded portion. The M5 metric thread is attached with a sealing gasket, to ensure no leakage of the threaded connection part.
4. The fitting metal body adopts a special nickel-plating process, which has good corrosion resistance.
5. Metal fittings can be used in high temperature environment.

Specification

Operating pressure	0~9kgf/cm ² (0~0.9MPa)
Negative pressure	-750mmHg(10Torr)
Proof pressure	1.5MPa
Temperature range	0~150°C
Applicable tubing	Nylon or Polyurethane
Color	Grey/Black

Note: The temperature resistance level of the tubing should be confirmed first when used in high temperature environments.

Configuration table of tubing inner diameter

Product series	Thread type	Port size				
		φ4	φ6	φ8	φ10	φ12
BPC	M5	●	●			
	1/8"	●	●	●	●	
	1/4"	●	●	●	●	●
	3/8"		●	●	●	●
	1/2"				●	●
BPOC	M5	●	●			
	1/8"	●	●	●		
	1/4"		●	●	●	
	3/8"				●	●
	1/2"					●
BPCF	M5	●	●			
	1/8"	●	●	●		
	1/4"		●	●	●	
	3/8"				●	●
	1/2"					●
BPMF	M5		●	●		
	1/8"	●	●	●		
	1/4"		●	●	●	
	3/8"				●	●
	1/2"					●

Product series	Port size				
	φ4	φ6	φ8	φ10	φ12
BPM	●	●	●	●	●

Ordering code

BPC 6 01 □

Model	Thread type
BPC: Metal male connector	Blank: PT
	Thread connection
BPOC: Hexagon socket head metal male connector	M5: M5X0.8
	01: 1/8"
BPCF: Metal female connector	02: 1/4"
	03: 3/8"
BPMF: Metal bulkhead female connector	04: 1/2"
	Port size
	4: φ4mm
	6: φ6mm
	8: φ8mm
	10: φ10mm
	12: φ12mm

Inner structure

Model: BPC

NO.	Name	Material
1	Metal connector	Brass
2	Locating ring	Aluminum alloy
3	Spring gasket	Stainless steel
4	Locating seat	Aluminum alloy
5	Special shape O-ring	Viton
6	Straight connector body	Brass

BPM 6

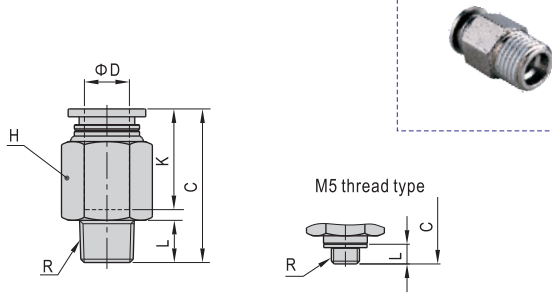
Model	Port size
BPM: Metal bulkhead connector	4: φ4mm
	6: φ6mm
	8: φ8mm
	10: φ10mm
	12: φ12mm



Metal one-touch fittings

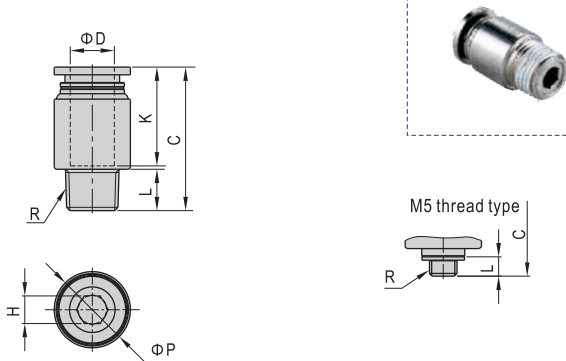
■ Dimensions

BPC series



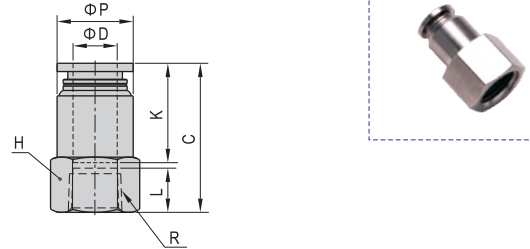
Model\Item	ΦD	R	L	C	K	H(Across flat)
BPC4M5	4	M5X0.8	3.5	19.5	14	9
BPC401		1/8"	7.5	19.5	14	10
BPC402		1/4"	10	19	14	14
BPC6M5	6	M5X0.8	3.5	22	16	12
BPC601		1/8"	7.5	21.5	18	12
BPC602		1/4"	10	24	18	14
BPC603	3/8"	11	22.5	18	17	
BPC801	8	1/8"	7.5	27.5	18	14
BPC802		1/4"	10	26.5	18	14
BPC803		3/8"	11	23	18	17
BPC1001	10	1/8"	7.5	29.5	20.5	17
BPC1002		1/4"	10	32	20.5	17
BPC1003		3/8"	11	27.5	20.5	17
BPC1004	1/2"	14	25.5	20.5	21	
BPC1202	12	1/4"	10	34.5	22	21
BPC1203		3/8"	11	30	22	21
BPC1204		1/2"	14	32	22	21

BPOC series



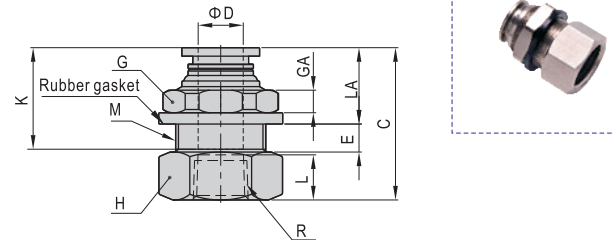
Model\Item	ΦD	R	ΦP	L	C	K	H(Across flat)
BPOC4M5	4	M5X0.8	9	3.5	18.5	14	2
BPOC401		1/8"	10	7.5	17.5	14	2.5
BPOC6M5		M5X0.8	12	3.5	21	16	2
BPOC601	6	1/8"	12	7.5	21.5	18	4
BPOC602		1/4"	14	10	21.5	18	4
BPOC801		1/8"	14	7.5	26	17.5	5
BPOC802	8	1/4"	14	10	24.5	17.5	6
BPOC1002		1/4"	17	10	28.5	20.5	6
BPOC1003		3/8"	17	11	27.5	20.5	8
BPOC1203	12	3/8"	21	11	29.5	22	8
BPOC1204		1/2"	21	14	31.5	22	8

BPCF series



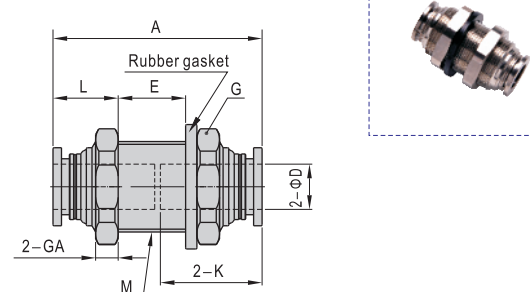
Model\Item	ΦD	R	ΦP	L	C	K	H(Across flat)
BPCF4M5	4	M5X0.8	9	5	21	14	10
BPCF401		1/8"	9.5	8	23	14	14
BPCF6M5		M5X0.8	12	5	21	16	12
BPCF601	6	1/8"	12.5	8	25	16	14
BPCF602		1/4"	12.5	11	28	16	17
BPCF801		1/8"	14	8	27	18	14
BPCF802	8	1/4"	14.5	11	30	18	17
BPCF1002		1/4"	17	11	32.5	20.5	17
BPCF1003		3/8"	18	12	33.5	20.5	21
BPCF1203	12	3/8"	21	12	35	22	21
BPCF1204		1/2"	21	13.5	36.5	22	25

BPMF series



Model\Item	ΦD	R	M	L	C	K	LA	E	G(Across flat)	GA	H(Across flat)	
BPMF401	4	1/8"	M12X1	8	25	14	12	4	14	4	14	
BPMF601		6	1/8"	M14X1	8	25	16	12	5	17	4	17
BPMF602			1/4"	M14X1	11	30	16	12	5	17	4	17
BPMF801	1/8"		M16X1	8	27	18	13	5.5	19	4	19	
BPMF802	8	1/4"	M16X1	11	31.5	18	13	5.5	19	4	19	
BPMF1002		1/4"	M20X1	11	34.5	20.5	14	7.5	24	5	22	
BPMF1003		3/8"	M20X1	12	35.5	20.5	14	7.5	24	5	22	
BPMF1203	12	3/8"	M22X1	12	37	22	15	8	27	6	24	
BPMF1204		1/2"	M22X1	13.5	38.5	22	15	8	27	6	25	

BPM series



Model\Item	ΦD	M	A	K	L	E	G(Across flat)	GA
BPM4	4	M12X1	28.5	14	10	7	14	4
BPM6	6	M14X1	33	16	10	11	17	4
BPM8	8	M16X1	37	18	11	13	19	4
BPM10	10	M20X1	41.5	20.5	12	16	24	5
BPM12	12	M22X1	45	22	13	17.5	27	6



Tube fittings

